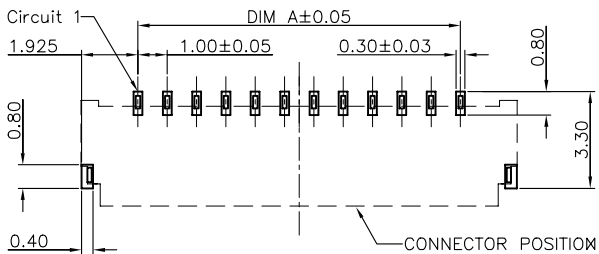
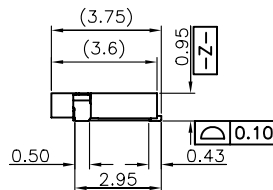
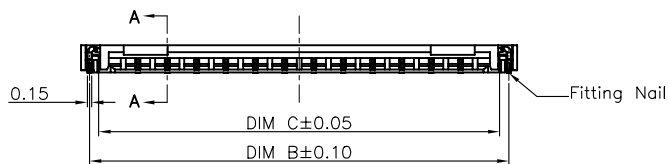
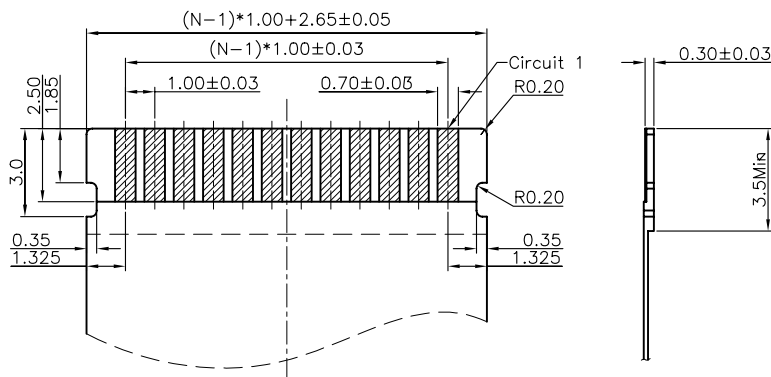


SECTION A-A  
SCALE 1:1



RECOMMENDED P.C.B. PATTERN LAYOUT



RECOMMENDED FPC/FFC DIMENSION

Note:

1. Material:

- 1.1 Housing: thermoplastic high temp.UL94V-0; Color: black.
- 1.2 Latch: thermoplastic high temp.UL94V-0; Color: natural.
- 1.3 Terminal: copper alloy.
- 1.4 Fitting Nail: copper alloy.

2. Finish:

- 2.1 Terminal:  
Underplating: Au/matt Tin overall.
- 2.2 Fitting Nail:  
Underplating: matt Tin overall.

3. Product must comply HF RoHS specification.

4. Product No:

AFA48-S \*\* \* K \* - HF  
CKTS

CONTACTS TYPE  
F:Lower  
H:Double Lower

PLATING  
K:Au,SPOT PLATING

REMARKS  
HF:Halogen free

PACKING  
A:Tape&Reel  
C:Tube

CKTS	DIM A	DIM B	DIM C	DIM D
04	3.00	6.30	5.67	6.87
05	4.00	7.30	6.67	7.87
06	5.00	8.30	7.67	8.87
07	6.00	9.30	8.67	9.87
08	7.00	10.30	9.67	10.87
09	8.00	11.30	10.67	11.87
10	9.00	12.30	11.67	12.87
11	10.00	13.30	12.67	13.87
12	11.00	14.30	13.67	14.87
13	12.00	15.30	14.67	15.87
14	13.00	16.30	15.67	16.87
15	14.00	17.30	16.67	17.87
16	15.00	18.30	17.67	18.87
17	16.00	19.30	18.67	19.87
18	17.00	20.30	19.67	20.87
19	18.00	21.30	20.67	21.87

CUSTOMER DRAWING

Tolerance Unspecified (未注公差)	Size (图幅): A4
0.0 ±0.15 0° ±5°	Unit (单位): MM
0.00 ±0.10 0° ±3°	Scale (比例): 1:1
0.000 ±0.05 0° 0.00 ±1°	Page (页数): 1 OF 1

深圳扬讯电子有限公司

Product Name (产品名称): 1.0Pitch H=0.95 FPC Easy-on R/A Type1 SMT CONN  
Product No (产品料号): AFA48-S\*\*f\*\*\*

Rev 版本	初版发行	2015/02/10	Allan
	Change Description 变更内容	Date 日期	Revisor 制/修订人

Project View (投影视角)	Page (页数): 1 OF 1
Rev (版本): A	

Designer (设计): Allan 02/10/15	Checked (审核): Allan 02/10/15	Approved (核准): Chu. 02/10/15
-------------------------------	------------------------------	------------------------------